



SPECIFICATION SHEET

UMACABLE HIGH QUALITY ANGLED HDMI CABLE

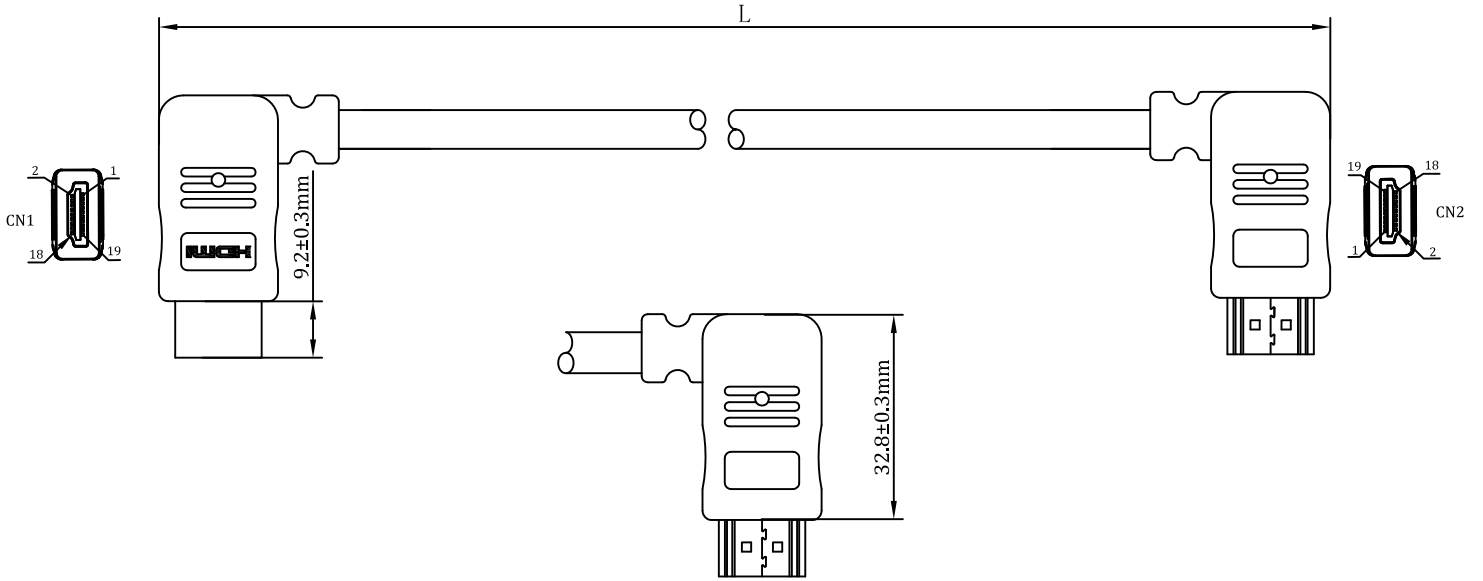
ITEM NO.: UMHD1006



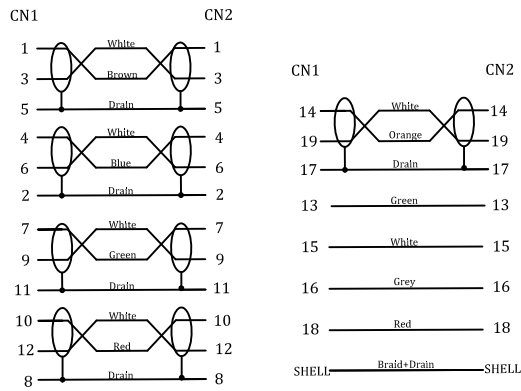
KEY FEATURES :

- High Speed HDMI Cable with Ethernet
- 90 Degree Angled HDMI Connectors
- Enables transmission of High Dynamic Range (HDR) video
- Bandwidth up to 18Gbps
- 3D video, Deep Color and x.v. Color™
- Dolby® True HD, DTS-HD Master Audio and up to 32 audio channels for a multi-dimensional immersive audio experience
- Up to 1536kHz audio sample frequency for the highest audio fidelity
- Simultaneous delivery of dual video streams to multiple users on the same screen
- Simultaneous delivery of multi-stream audio to multiple users (up to 4)
- Support for the wide angle theatrical 21:9 video aspect ratio
- Dynamic synchronization of video and audio streams
- CEC extensions for control of consumer electronics devices through a single control point
- Lifetime Warranty

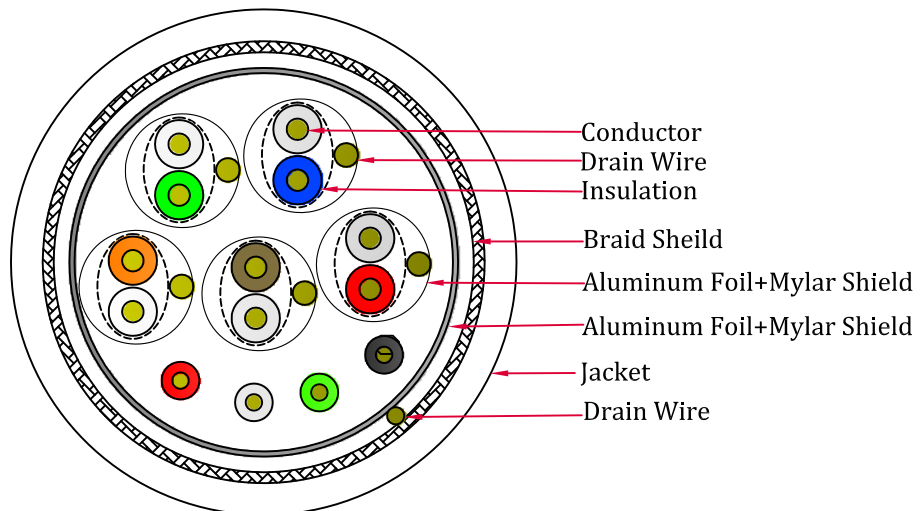
UMACABLE HIGH QUALITY ANGLED HDMI CABLE



Diagram



Construction



UMACABLE HIGH QUALITY ANGLED HDMI CABLE

Electrical Characteristics:

Nominal Impedance:	100±10Ω
Nominal Velocity of Propagation:	≤1.78ns
DC Resistance:	376Ω/km
Dielectric Strength:	AC 500V/1 minute
Insulation Resistance:	100Ω

Conductor 1 (5 pairs)

Conductor Type:	30AWG Bare Copper
Insulation:	Foamed PE
Color:	Brown/White, Blue/White, Green/White, Red/White, Orange/White
Drain Wire:	30AWG Bare Copper
Shield:	Aluminum Foil+Mylar 100% Coverage

Connector 1

Connector Type:	HDMI Type A Male
PIN Construction:	Phosphor Copper
Plating:	1 μm Gold
Injection:	45P PVC

Overall

Drain Wire:	30AWG Copper Clad Steel
Foil Shield:	Aluminum Foil+Mylar 100% Coverage
Braided Shield:	16/4/0.12 Aluminum Magnesium
Jacket:	PVC
OD:	6.0±0.2mm

Physical Characteristics:

Voltage Rating:	30V
Maximum Bend Radius:	90mm
Temperature Rating:	80°C
Approvals:	RoHS Compliant
Package type:	PE bag, Zip bag, Box, Hang card, Blister

Conduct 2 (4 cores)

Conductor Type:	30AWG Bare Copper
Insulation:	HDPE
Color:	Green, White, Grey, Red
Shield:	Aluminum Foil+Mylar 100% Coverage

Connector 2

Connector Type:	HDMI Type A Male
PIN Construction:	Phosphor Copper
Plating:	1 μm Gold
Injection:	45P PVC

Customized Parameters

Guage:	AWG 30, 28, 26
Length:	1, 1.5, 1.8, 2, 3, 5, 7.5, 10m
Color:	Black or Customized
Ferrite Core:	Customized
Nylon Mesh:	Customized
Package type:	PE bag, Zip bag, Box, Hang card, Blister